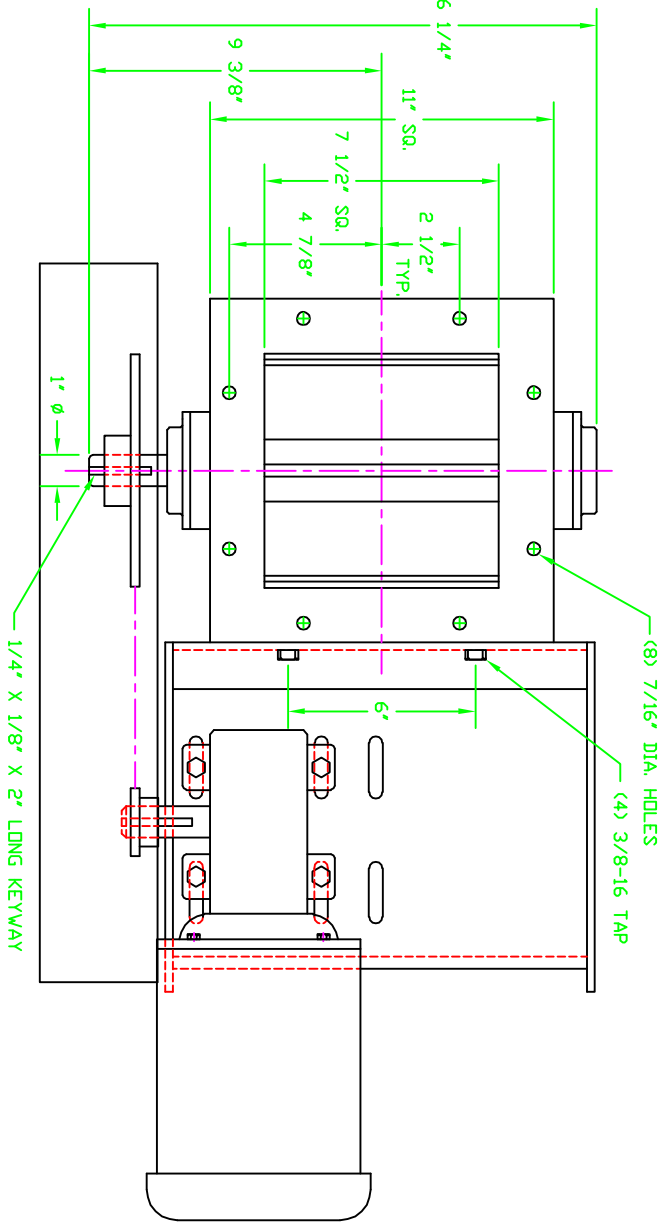
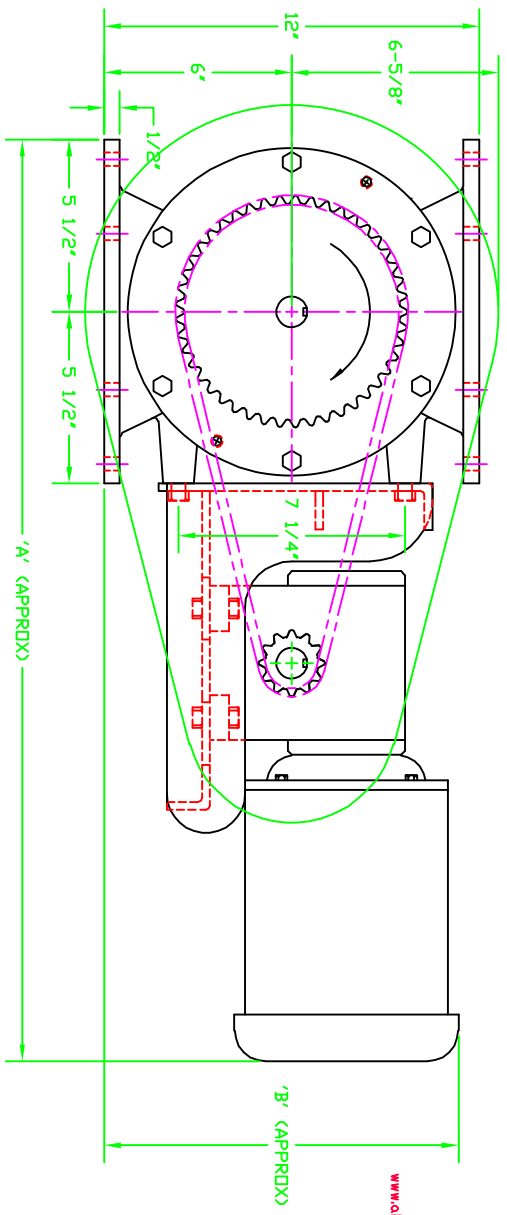


		CAPACITIES IN CUBIC FEET PER MINUTE							
ROTOR	CFR	5 RPM	10 RPM	15 RPM	20 RPM	25 RPM	30 RPM	35 RPM	
6 VANE	.18	.90	1.80	2.70	3.60	4.50	5.40	6.30	
8 VANE	.17	.85	1.70	2.55	3.40	4.25	5.10	5.95	

DATA FOR NORMAL SERVICE APPLICATIONS			
MOTOR HP	FEEDER RPM	A	B
1/4 TENV	7 THRU 9	28 1/4	10 3/4
1/3 TENV	10 THRU 14	28 1/4	10 3/4
1/2 TEFC	15 THRU 22	30 1/4	11 5/8
3/4 TEFC	23 THRU 44	30 1/4	11 5/8
1 TEFC	45 THRU 47	30 1/4	11 7/8



NOTES:
 1. ALL MOTORS: 3-60-230/460
 2. INFORMATION IS BASED UPON CATALOG DATA. THIS INFORMATION MUST BE USED IN CONJUNCTION WITH, AND NOT IN SUBSTITUTION FOR, THE APPLICABLE PRODUCT CATALOG WHICH CONTAINS IMPRtant PRECAUTIONS AND OTHER PERTINENT INFORMATION.



Advanced Industrial Design, Inc.
 Dry Bulk Material Handling Systems and Components
 www.aid-inc.com 1-866-439-6999 Arlington Heights, IL

REV.	DESCRIPTION	DATE	BY
B	10-29-94 STD GUARD SHOWN 6-5/8" DIA. ADDED.		JML
A	10-12-92 REBRAN ON CAD		TD

W.M. MEYER & SONS, INC.
 ROTORS, DRUMS

8 X 8 STANDARD DUTY SQUARE FLANGE FEEDER ASSEMBLY WITH TYPICAL RECOMMENDED GEARMOTORS

DRAWN	NCZ	DATE	3-23-86	DRAWING NUMBER	430C-667
APPROVED		SCALE	3/8		