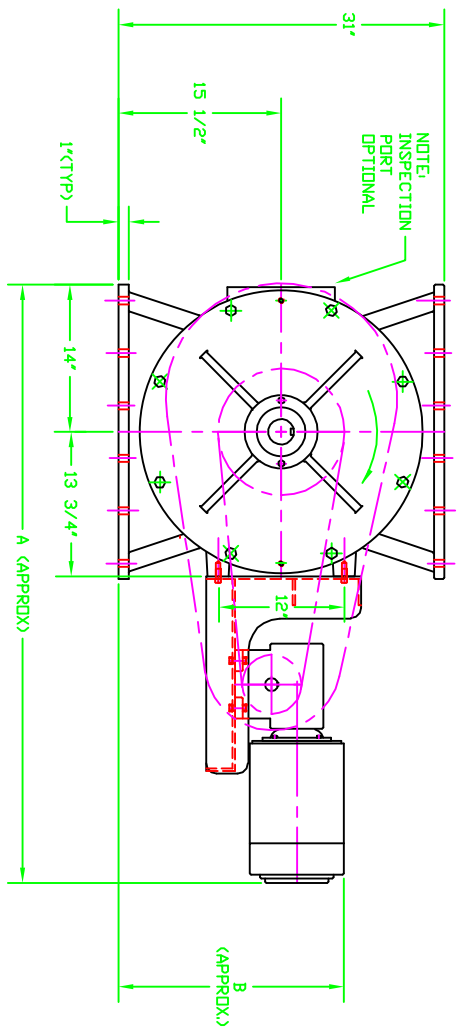
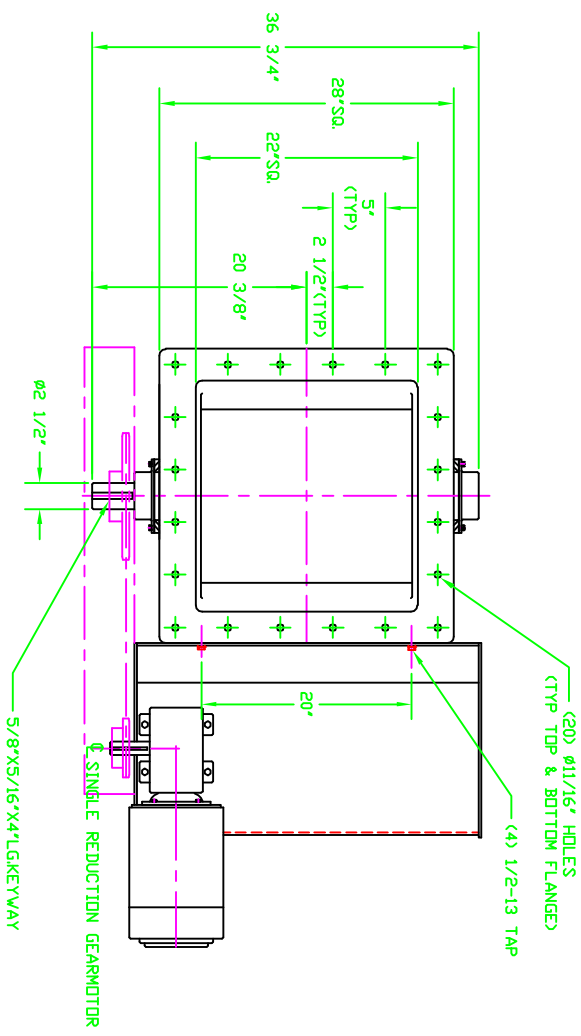


CAPACITIES IN CUBIC FEET PER MINUTE							
SIZE	ROTOR	CFR	5 RPM	10 RPM	15 RPM	20 RPM	
22X22	6V	4.34	21.70	43.40	65.10	86.80	
	8V	4.20	21.00	42.00	63.00	84.00	

DATA FOR NORMAL SERVICE APPLICATIONS							
MOTOR HP	FEDER RPM	A	B				
1 1/2 TEFC	7 THU 9	55 7/8	23 5/8				
2 TEFC	10 THU 14	55 7/8	23 5/8				
3 TEFC	15 THU 22	59 1/4	24 7/8				



NOTES:
 1) ALL MOTORS: 3-60-230/460
 2) INFORMATION IS BASED UPON CATALOG DATA. THIS INFORMATION MUST BE USED IN CONJUNCTION WITH, AND NOT IN SUBSTITUTION FOR, THE APPLICABLE PRODUCT CATALOG WHICH CONTAINS IMPORTANT PRECAUTIONS AND OTHER PERTINENT INFORMATION


Advanced Industrial Design, Inc.
 Dry Bulk Material Handling Systems and Components
 www.aia-dhc.com 1-866-439-6999
 Arlington Heights, IL

A 04-30-99 REDRAWN IN CAD		REV. NO.		LHM	
W.M. W. MEYER & SONS, INC.					
<i>SEVEN GENERATIONS</i>					
22X22 SD SQ. FLANGE FEEDER ASSEMBLY WITH TYPICAL RECOMMENDED GEARMOTOR					
OUR S.D. NO.		REF. S.D. NO.			
DRAWN TAD	DATE 10-25-88	DRAWING NUMBER 430U-274			
APPROVED MCD	SCALE 1/8"				

430U-484