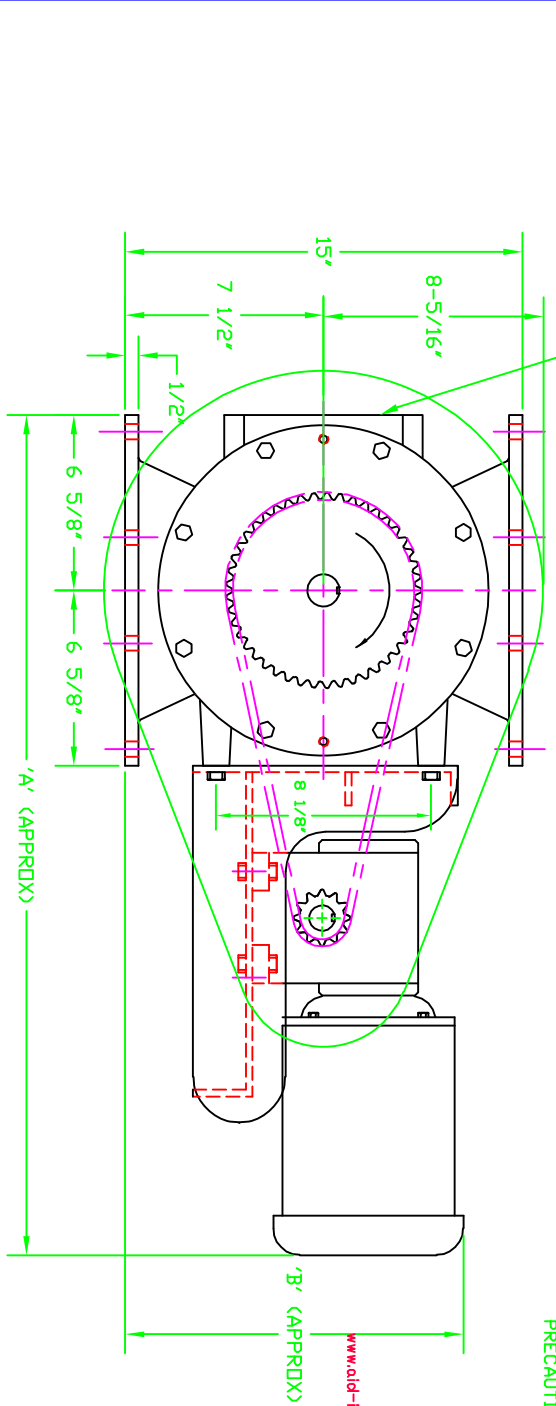
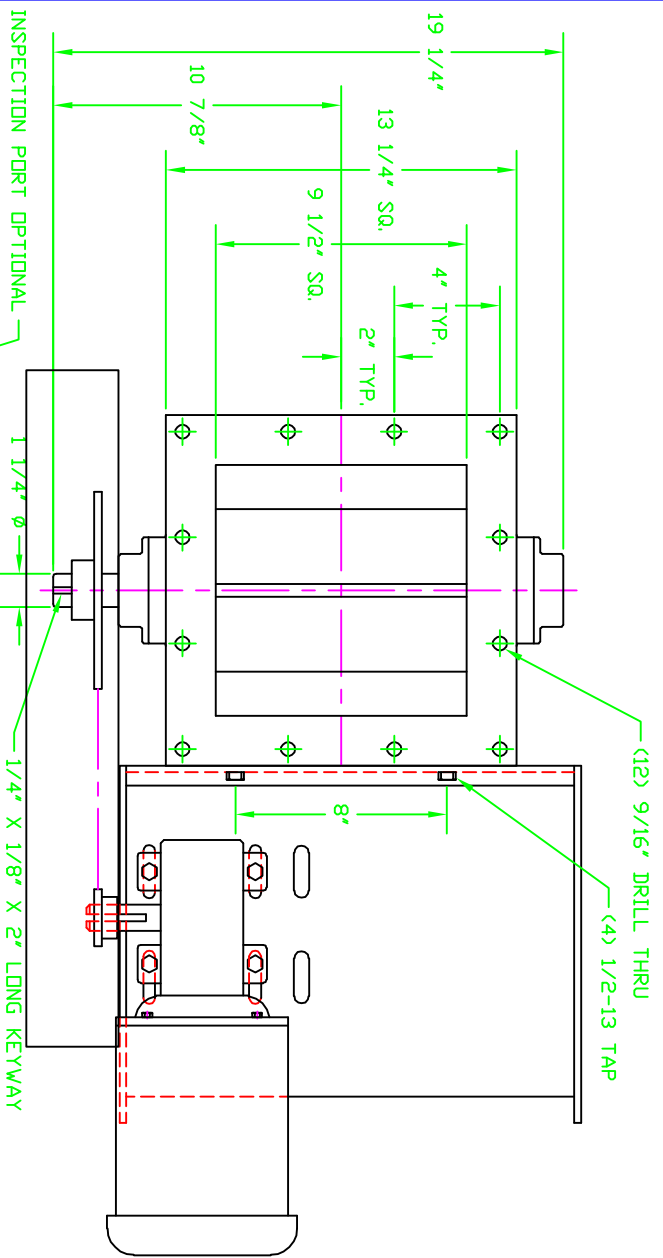


		CAPACITIES IN CUBIC FEET PER MINUTE							
ROTOR	CFR	5 RPM	10 RPM	15 RPM	20 RPM	25 RPM	30 RPM	35 RPM	RPM
6 VANE	.36	1.80	3.60	5.40	7.20	9.00	10.80	12.60	
8 VANE	.34	1.70	3.40	5.10	6.80	8.50	10.20	11.90	



DATA FOR NORMAL SERVICE APPLICATIONS					
MOTOR HP	FEEDER RPM	A	B		
1/2 TEFC	7 THRU 9	33 1/2	14 1/2		
3/4 TEFC	10 THRU 14	33 1/2	14 1/2		
1 TEFC	15 THRU 22	33 1/2	14 1/2		
1 1/2 TEFC	23 THRU 35	34	14 1/2		
2 TEFC	40 THRU 47	34	14 3/4		

NOTES:
 1: ALL MOTORS: 3-60-230/460
 2: INFORMATION IS BASED UPON CATALOG DATA. THIS INFORMATION MUST BE USED IN CONJUNCTION WITH, AND NOT IN SUBSTITUTION FOR, THE APPLICABLE PRODUCT CATALOG WHICH CONTAINS IMPORTANT PRECAUTIONS AND OTHER PERTINENT INFORMATION.



Advanced Industrial Design, Inc.
 Dry Bulk Material Handling Systems and Components
 www.aid-inc.com 1-866-439-6999 Arlington Heights, IL

REV	DATE	DESCRIPTION	BY
3	10-29-96	STD GUARD SHOWN, 8-5/16" DIA ARDED	JMK
A	10-7-92	RETRAVAN DNI CAD	

WM. W. MEYER & SONS, INC.
 STORAGE, MIXING

10 X 10 STANDARD DUTY SQUARE FLANGE FEEDER ASSEMBLY WITH TYPICAL RECOMMENDED GUARDNOTORS
 CUR. S.D. NO. REF. S.D. NO.
 DRAWN: TD DATE: 10-20-98
 APPROVED: SCALE: 5/16 DRAWING NUMBER: 430D-839